

# MODULAR ENCLOSURES

'REXTON' modular Enclosures are standard products used for safe and systematic distribution and control of LV applications, suitable for mounting various types of rail mounted components like MCBs, Contactors etc.

# POWER Pack



Powder coated  
high quality  
GI STEEL

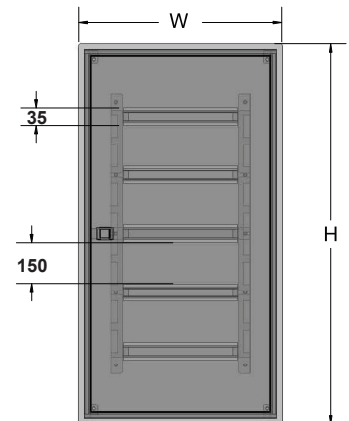
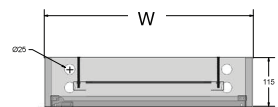
Complies with  
IEC 60529

Surface  
& Flush  
Mounting  
Types

Available in  
different  
**COLOR**  
SHADES

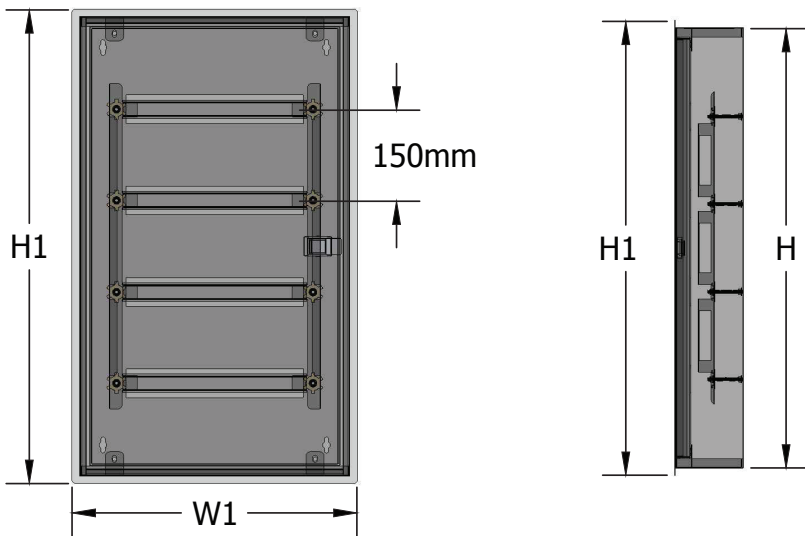
## Features

- Available in various row combinations - up to 6 rows.
- Each row suitable for holding up to 16 rail Modules
- Available in different colors and finishes-RAL 7032, RAL 7035, RAL 9010 etc(smooth,texture & matt finish) as per customer requirements.
- Knockouts on both top and bottom sides of enclosures as per specific requirements.
- Adjustable Powder coated rail mounting assembly.
- Enclosures facilitating ease of wiring and heat dissipation
- Door opening position can be easily adjusted as per customer requirements
- Degree of protection IP-41
- Available in flush & surface mounting types
- Available in 24 module rail



### ROW DB - 16 MODULE

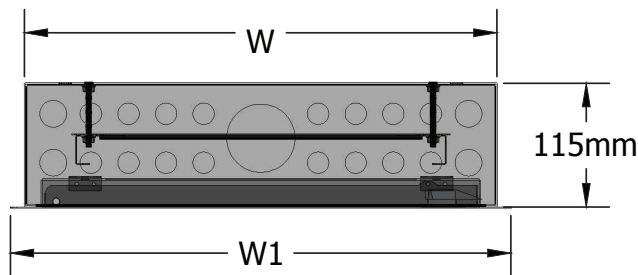
#### Dimension Reference for Surface Mounting Type



No of Rows	H	H1	W	W1	D
1 Row	300	305	440	445	115
2 Row	450	455	440	445	115
3 Row	600	605	440	445	115
4 Row	750	775	440	445	115
5 Row	900	905	440	445	115
6 Row	1050	1055	440	445	115

### ROW DB - 16 MODULE

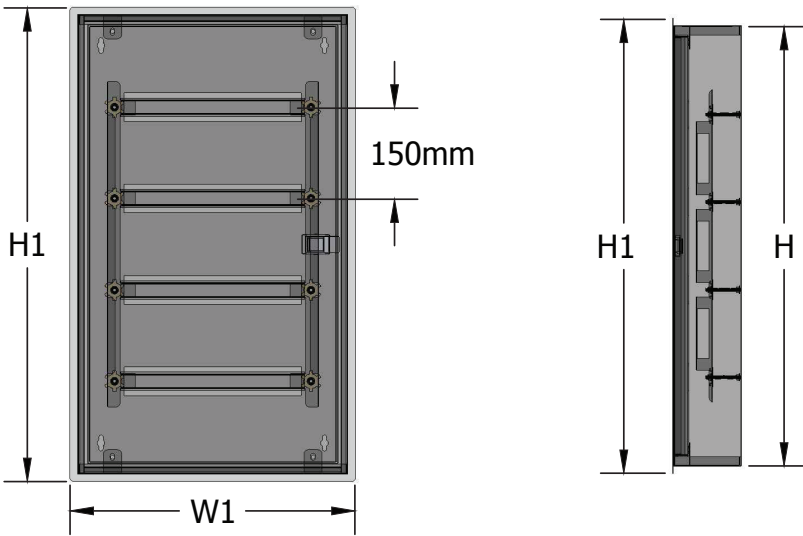
#### Dimension and Order Reference Number for Flush Mounting Type



No of Rows	H	H1	W	W1	D
1 Row	300	325	440	465	115
2 Row	450	475	440	465	115
3 Row	600	625	440	465	115
4 Row	750	775	440	465	115
5 Row	900	925	440	465	115
6 Row	1050	1075	440	465	115

### ROW DB - 24 MODULE

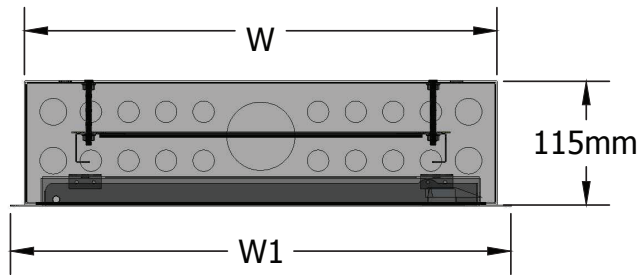
#### Dimension Reference for Surface Mounting Type



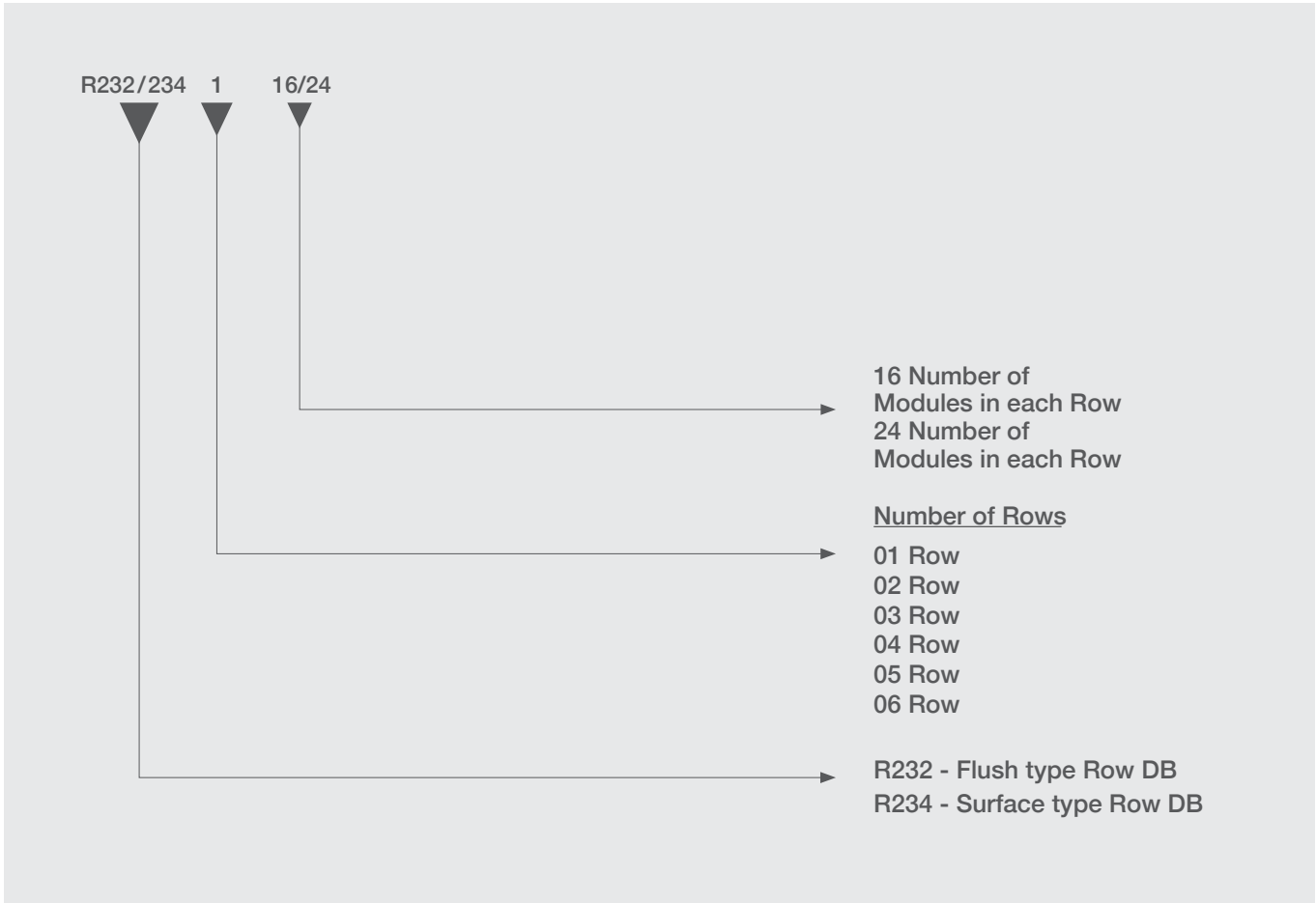
No of Rows	H	H1	W	W1	D
1 Row	300	305	585	590	115
2 Row	450	455	585	590	115
3 Row	600	605	585	590	115
4 Row	750	775	585	590	115
5 Row	900	905	585	590	115
6 Row	1050	1055	585	590	115

### ROW DB - 24 MODULE

#### Dimension and Order Reference Number for Flush Mounting Type



No of Rows	H	H1	W	W1	D
1 Row	300	325	585	610	115
2 Row	450	475	585	610	115
3 Row	600	625	585	610	115
4 Row	750	775	585	610	115
5 Row	900	925	585	610	115
6 Row	1050	1075	585	610	115



Part Code	Description
R2321-16	Distribution Board 1 Row 16Module-Flush
R2322-32	Distribution Board 2 Row 16Module-Flush
R2323-48	Distribution Board 3 Row 16Module-Flush
R2324-64	Distribution Board 4 Row 16Module-Flush
R2325-80	Distribution Board 5 Row 16Module-Flush
R2326-96	Distribution Board 6 Row 16Module-Flush
R2321-24	Distribution Board 1 Row 24Module-Flush
R2322-48	Distribution Board 2 Row 24Module-Flush
R2323-72	Distribution Board 3 Row 24Module-Flush
R2324-96	Distribution Board 4 Row 24Module-Flush
R2325-120	Distribution Board 5 Row 24Module-Flush
R2326-144	Distribution Board 6 Row 24Module-Flush

Part Code	Description
R2341-16	Distribution Board 1 Row 16Module-Surface
R2342-32	Distribution Board 2 Row 16Module-Surface
R2343-48	Distribution Board 3 Row 16Module-Surface
R2344-64	Distribution Board 4 Row 16Module-Surface
R2345-80	Distribution Board 5 Row 16Module-Surface
R2346-96	Distribution Board 6 Row 16Module-Surface
R2341-24	Distribution Board 1 Row 24Module-Surface
R2342-48	Distribution Board 2 Row 24Module-Surface
R2343-72	Distribution Board 3 Row 24Module-Surface
R2344-96	Distribution Board 4 Row 24Module-Surface
R2345-120	Distribution Board 5 Row 24Module-Surface
R2346-144	Distribution Board 6 Row 24Module-Surface